

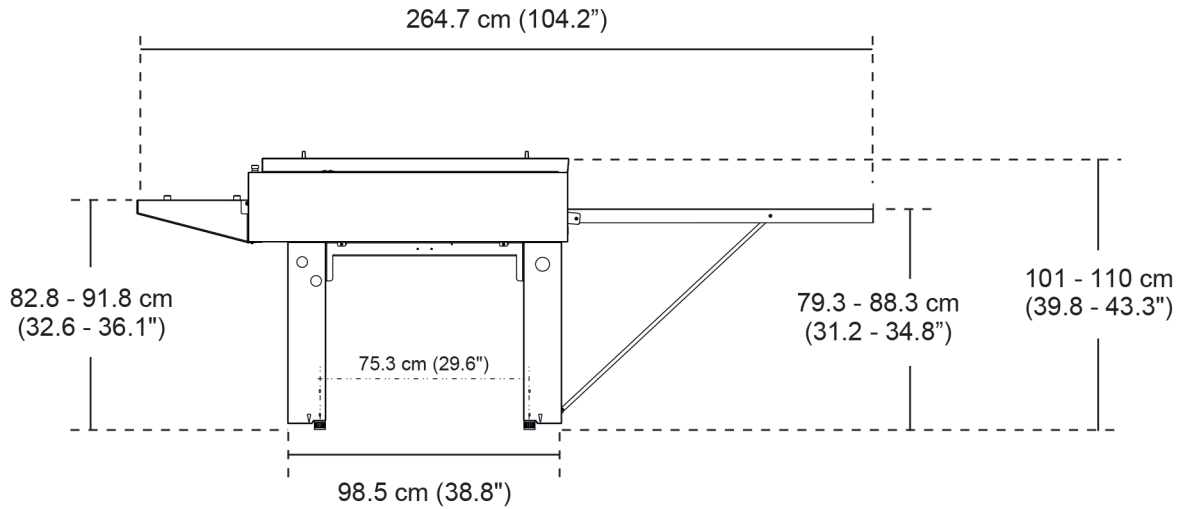
KODAK T-MDE Plate Processor

Technical specifications	
	T-MDE 860 Plate Processor
Processor type	Thermal processor rated up to 30,000 sqm/year
Processing sections	Developing, washing, gumming, drying
Accredited digital plates	KODAK ACHIEVE EM, CAPRICORN GT, ELECTRA XD, SWORD MAX, and TRILLIAN SP Thermal Plates Note: <i>Not all plates are available in every region. Recirculation mode not compatible with Electra XD Plates and Kodak 400 xLo Plate Solution.</i>
Maximum plate width	850 mm
Minimum plate length	274 mm
Maximum plate length	Unlimited
Gauge range	0.15 - 0.30 mm
Developer temperature range	20°C- 34°C
Developer tank volume	22 liters
Water supply	1 - 6 bar (15 - 87 psi)
Processing speed	0.5 - 1.4 m/min
Electrical power	Single phase, 1W + N + PE 230 V / 1X16 Amps, 50-60 Hz
Power outlet	None
Standard features	Direct-to-drain (reconfigurable to water saving), 2nd brush for negative plates in developer, developer filter in circulation, interface for Kodak's CTP devices, operating panel with dedicated 4x programs, integrated chiller, drip tray, toolbox with first aid spare parts, Remote Enabling System (Windows Client), WebConnect (Cloud system), Ethernet cable
Optional accessories	Feed table, delivery table, conductivity probe, container level sensor (dev./gum/waste)
Width x length x height (uncrated)	126 x 116 x 101 cm
Weight (uncrated)	235 kg
Weight (crated)	305 kg
Approvals	Complies with CE, UL/cUL, RoHS, CB

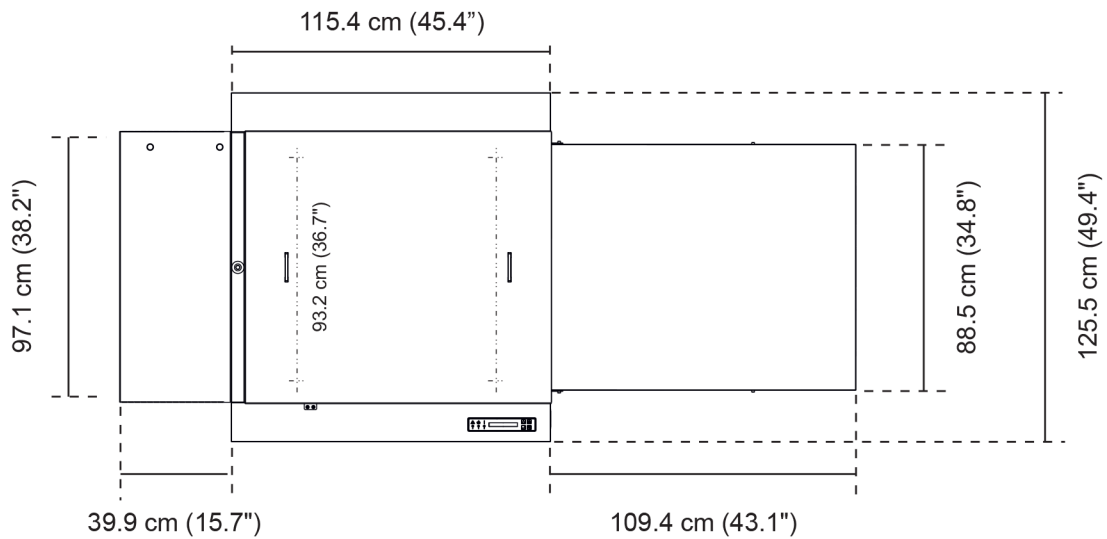


System Schematics

Side View



Top View



Eastman Kodak Company 343 State Street Rochester, NY 14650 USA +1-866-563-2533 in North America. Produced using Kodak Technology.
©Kodak, 2018. Kodak, Achieve, Capricorn, Electra, Sword MAX, Trillian and the Kodak Logo are trademarks of Kodak. Subject to technical change without notice.
W.PSD124.0818.en.04

[KODAK.COM/GO/PRINT](https://www.kodak.com/go/print)

